

REFRACTORY BRICK SHAPES

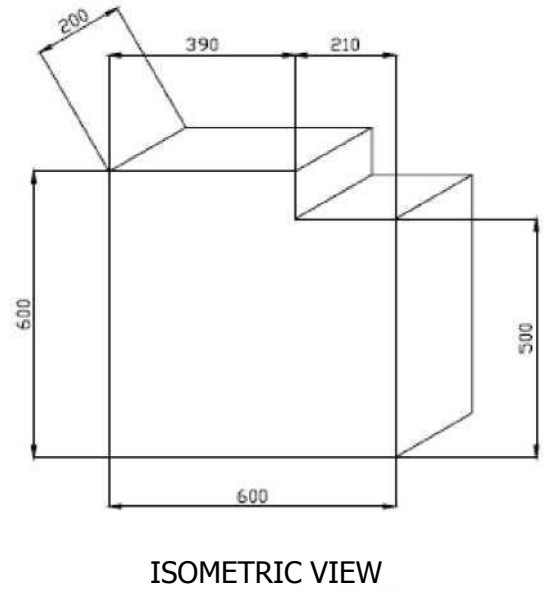
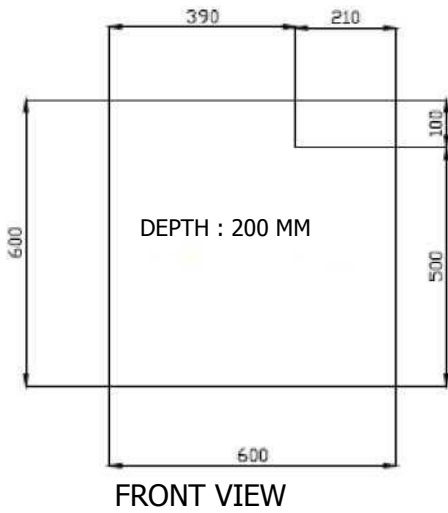


FIGURE-1

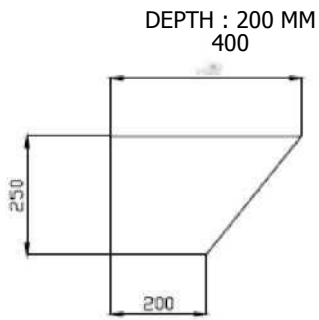


FIGURE-2

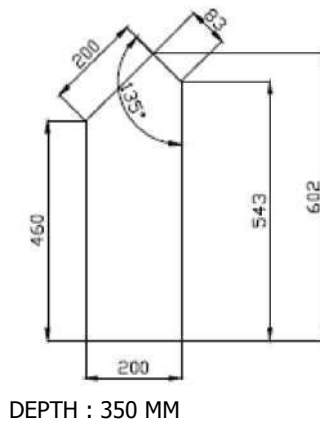


FIGURE-4

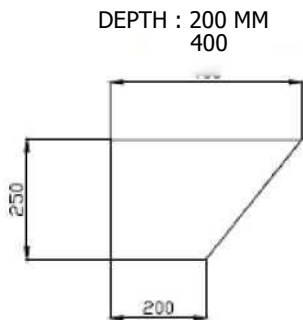


FIGURE-3

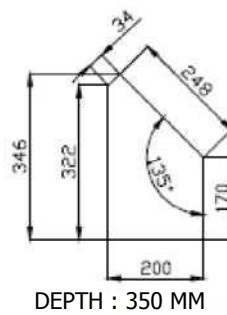
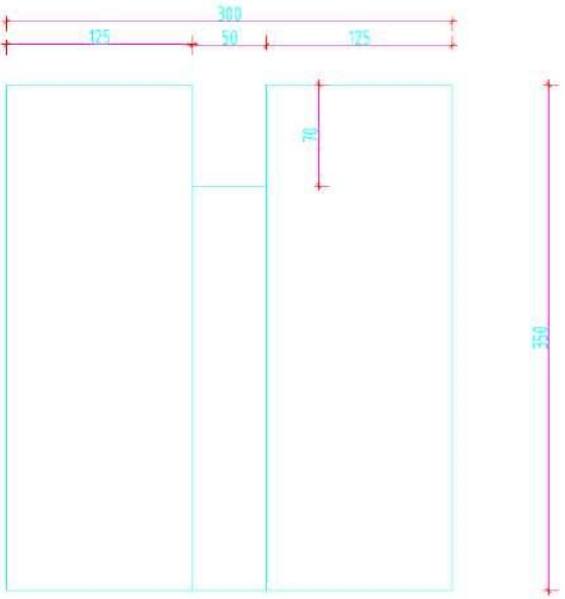
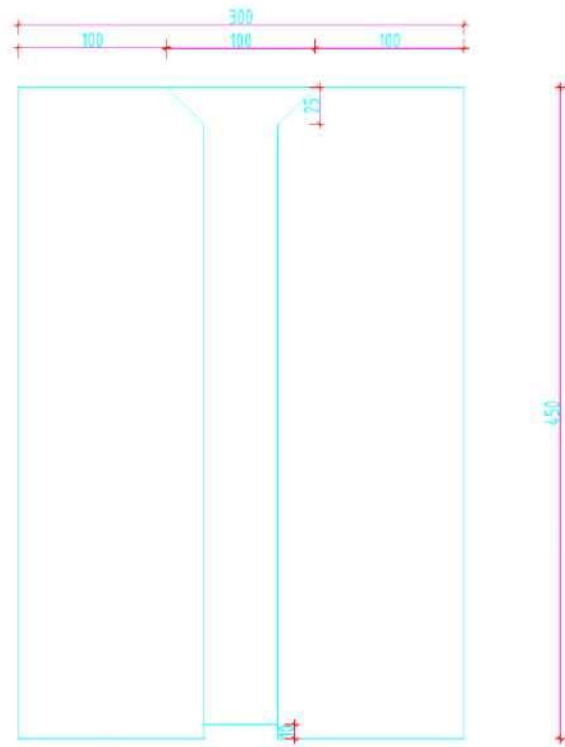


FIGURE-5

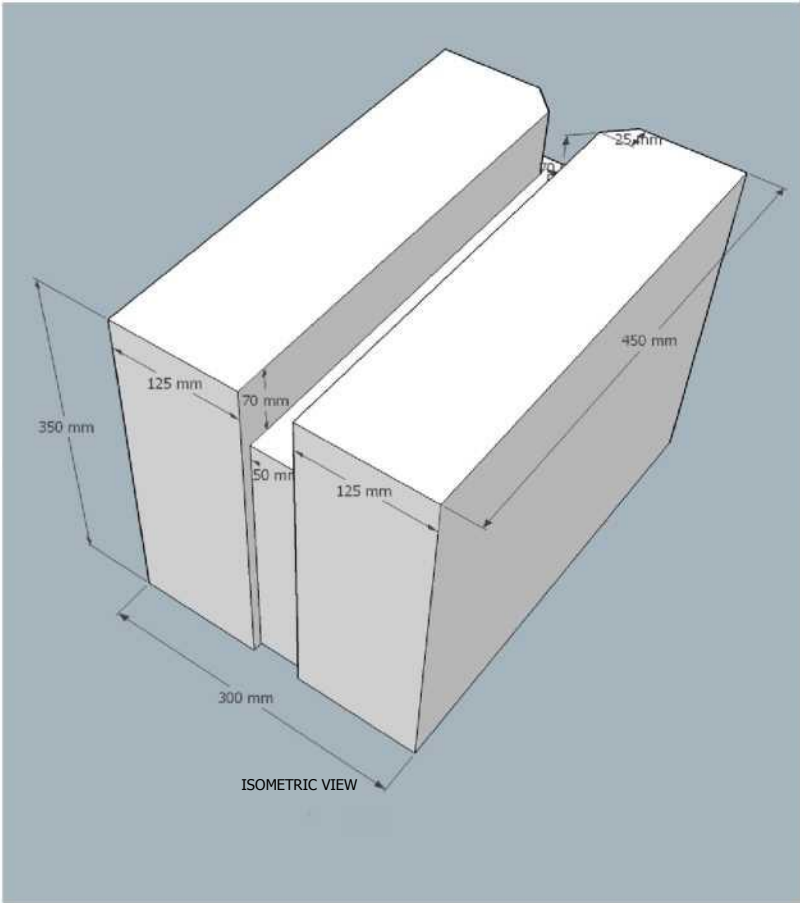
FIGURE-6 (RUNNER)



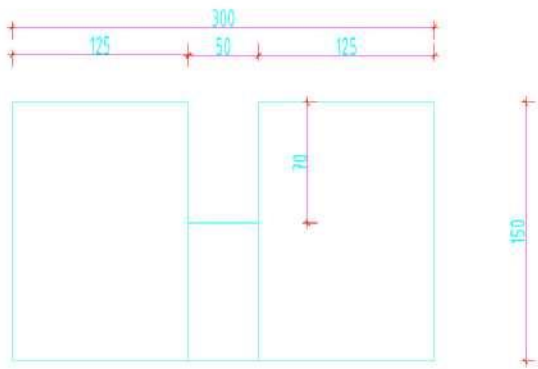
SIDE VIEW



TOP VIEW

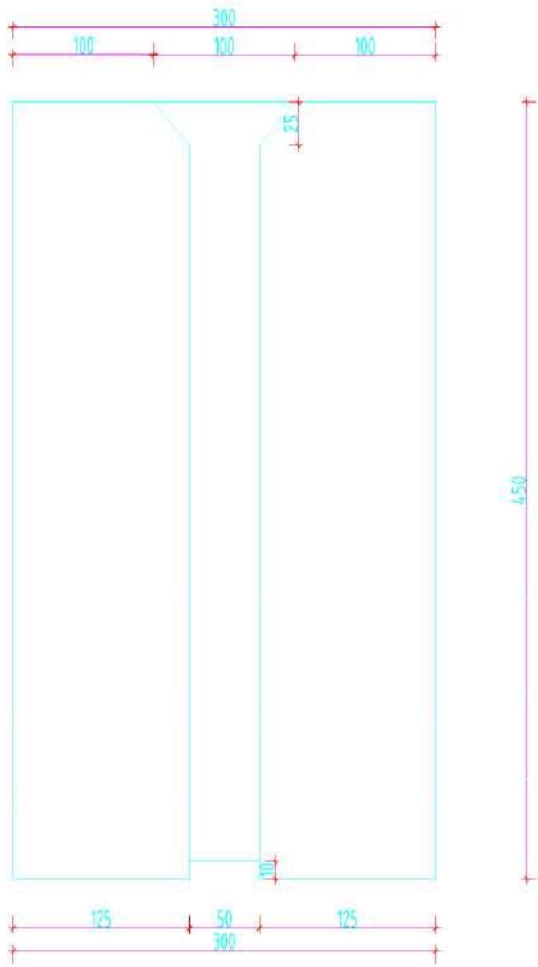


ISOMETRIC VIEW

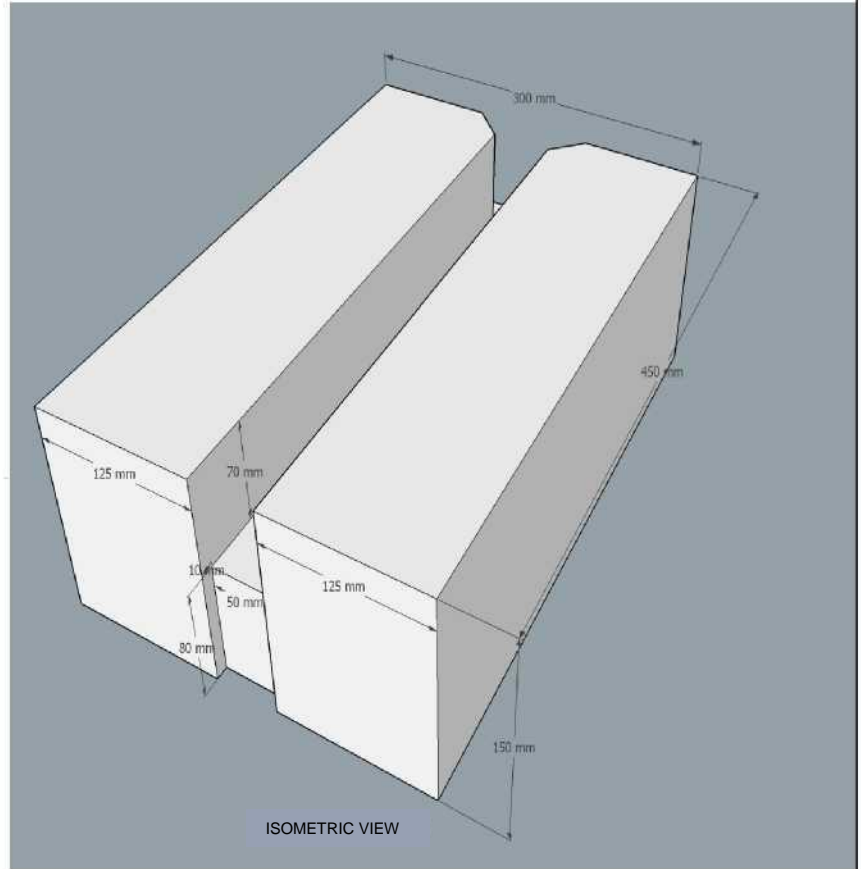


SIDE VIEW

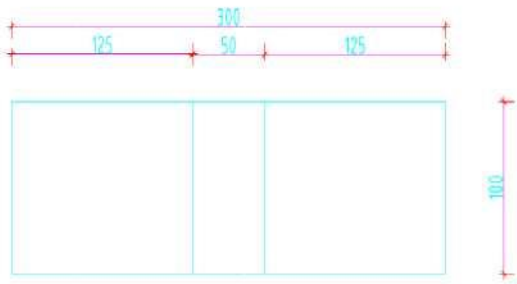
FIGURE-6.1 (RUNNER)
1 PC.



TOP VIEW

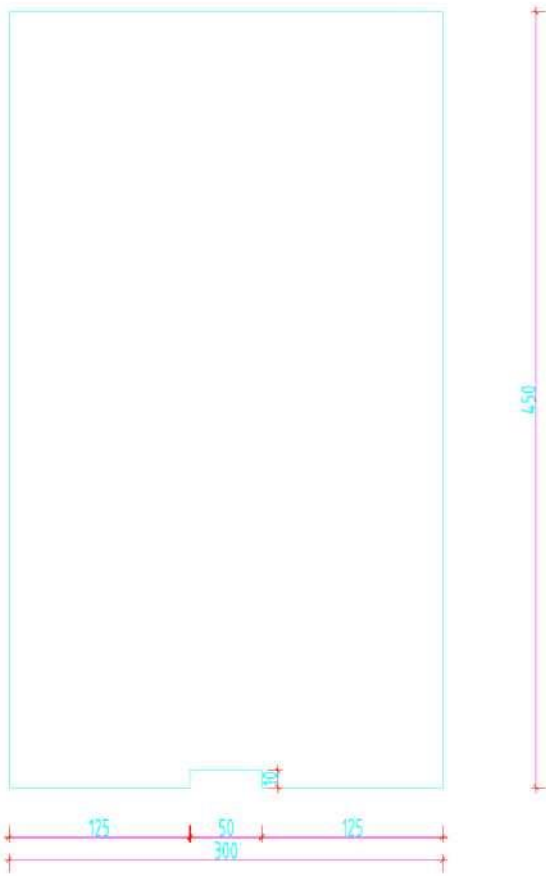


ISOMETRIC VIEW

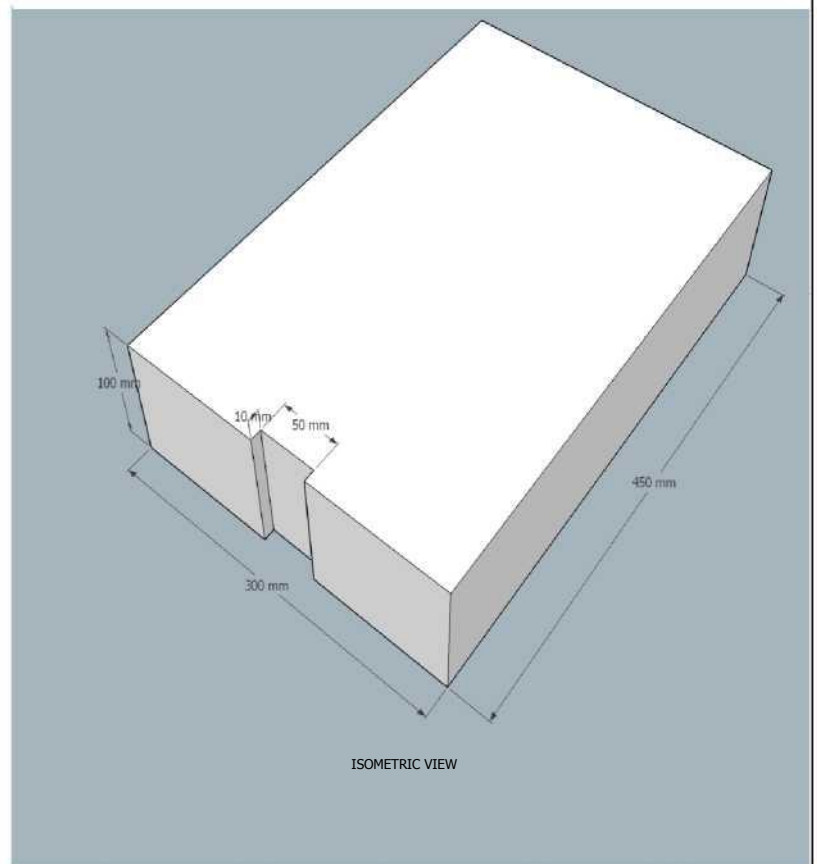


SIDE VIEW

FIGURE -6.2 (RUNNER)
2 PCS



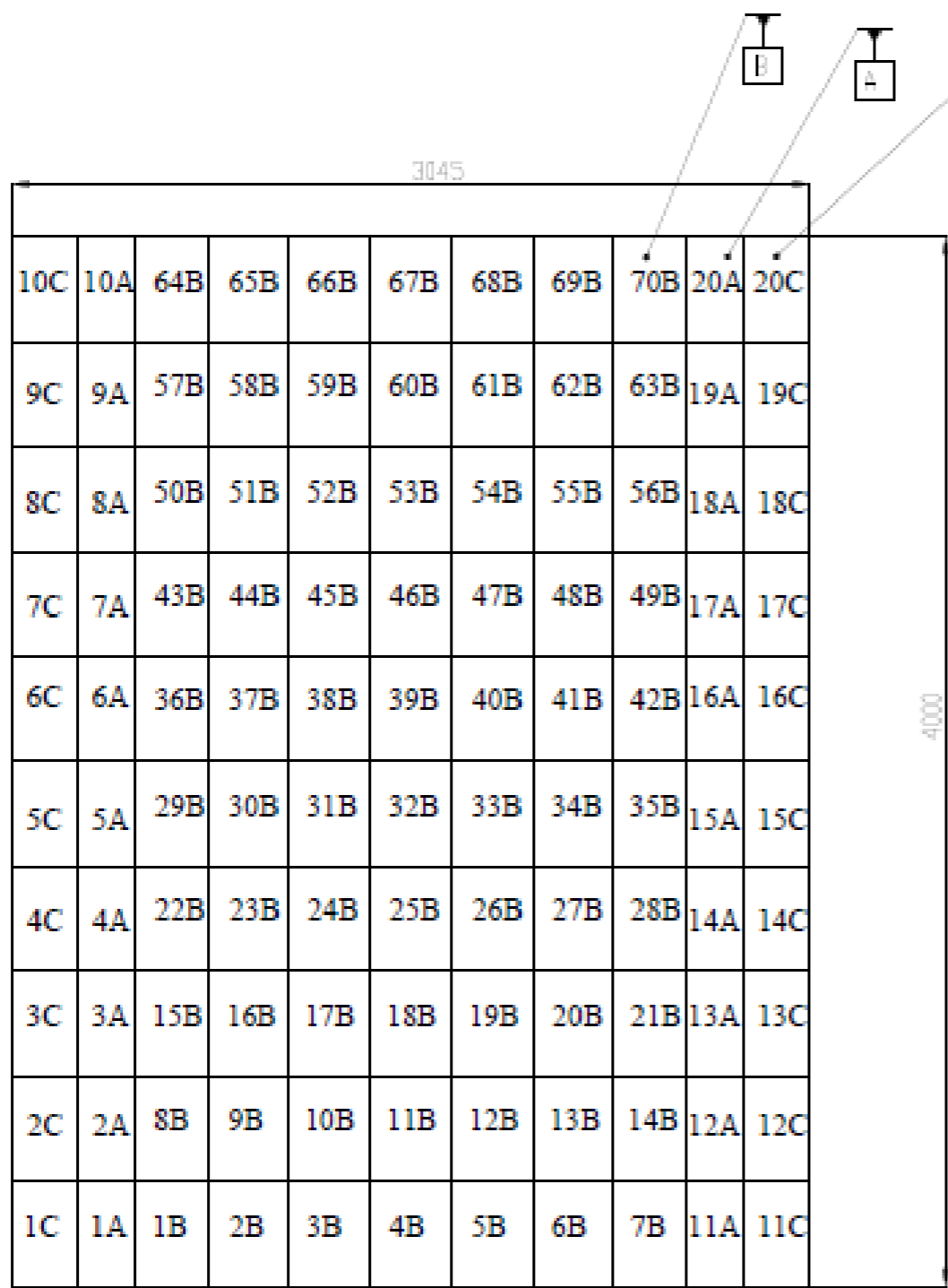
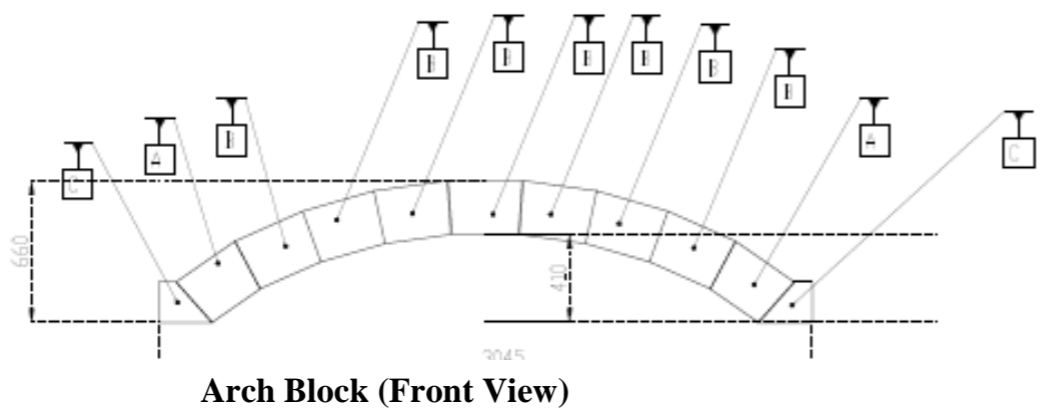
TOP VIEW



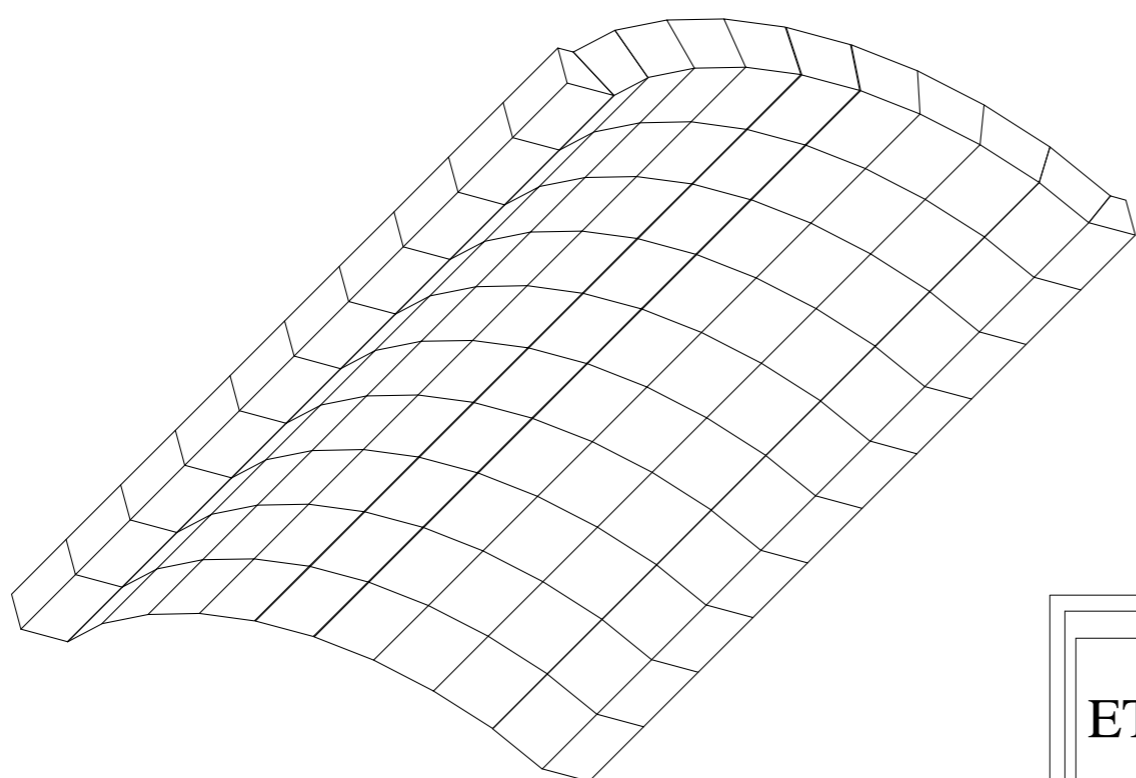
ISOMETRIC VIEW

FIGURE -7

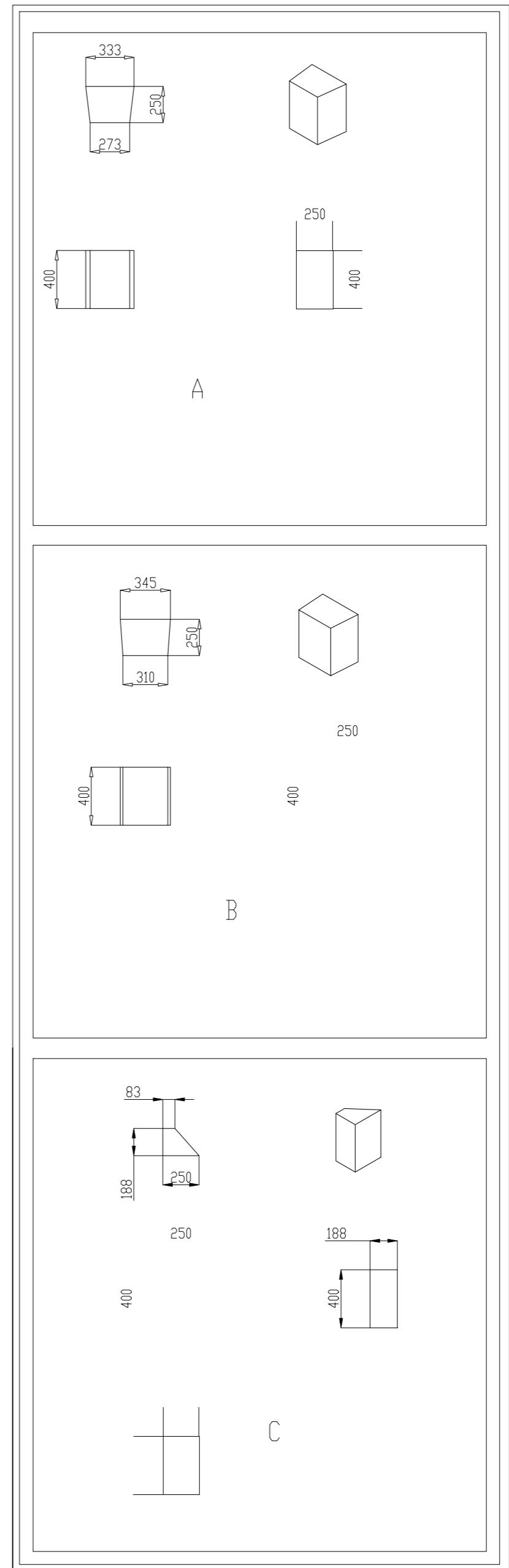
Drawing of 1 Set of Furnace Roof Area



View from Above of 1 Set of Roof Area



Isometric View of 1 Set of Roof Area



Production Dimensions of Each Brick Part

ETI MINE WORKS GENERAL MANAGEMENT

KIRKA BORON WORKS

PROJECT NAME	DEHYDRATED BORAX MELTING FURNACE DOME
DATE	03.11.2015
SCALE	1/1
DRAWN BY	SITKI DEMIRKOL (ENGINEER)
REMARKS	DIMENSIONS ARE IN MM.

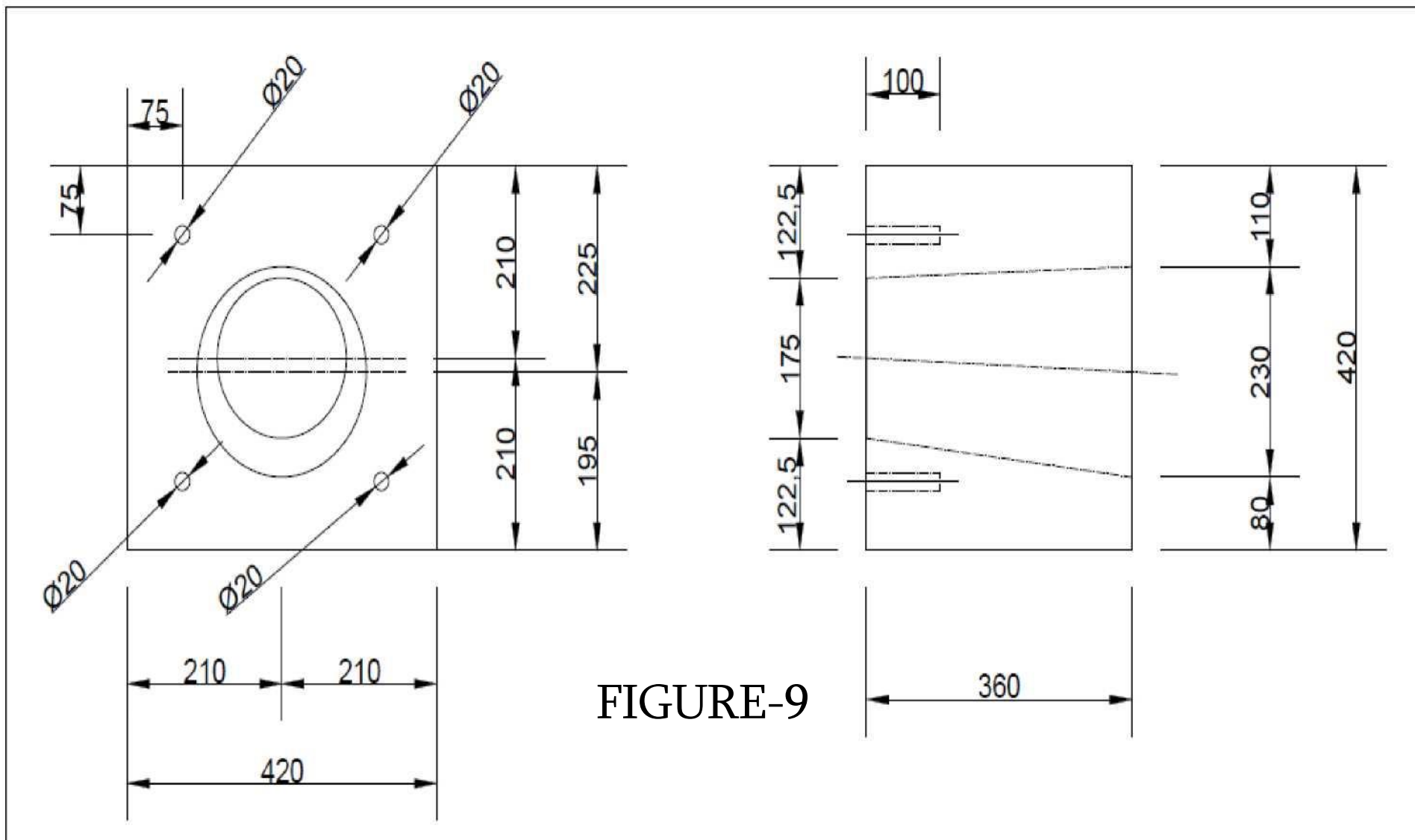


FIGURE-9

