

REFRACTORY BRICK SHAPES

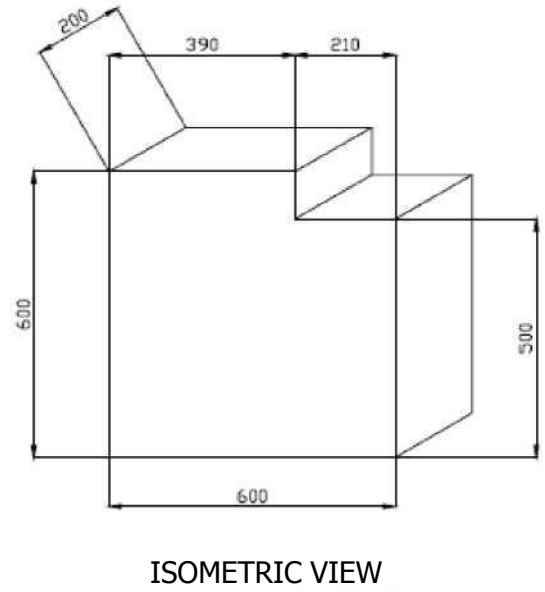
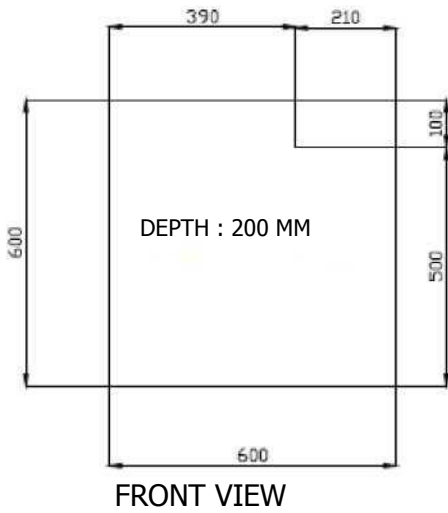


FIGURE-1

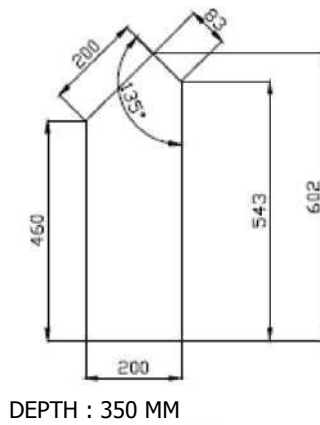


FIGURE-4

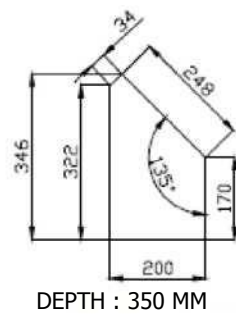
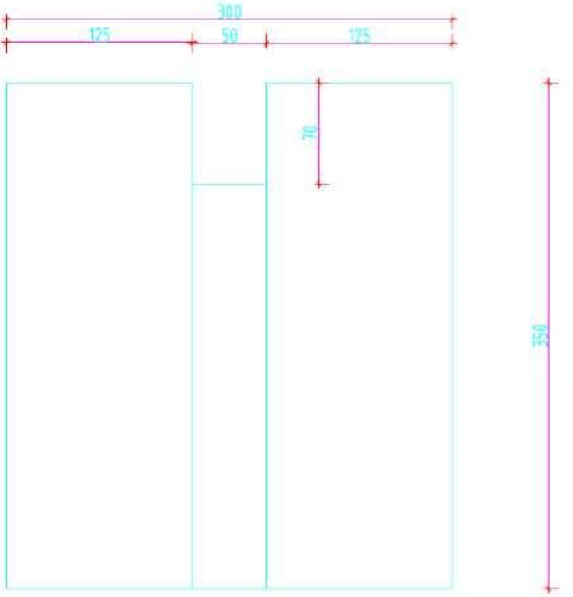
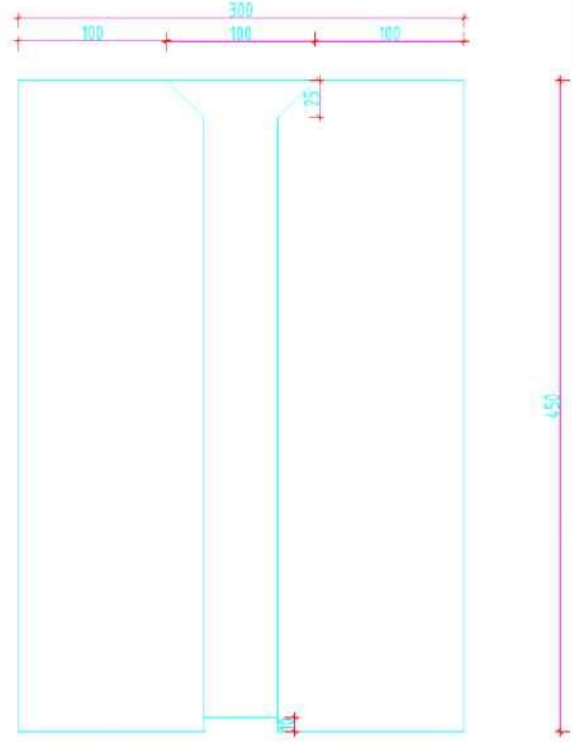


FIGURE-5

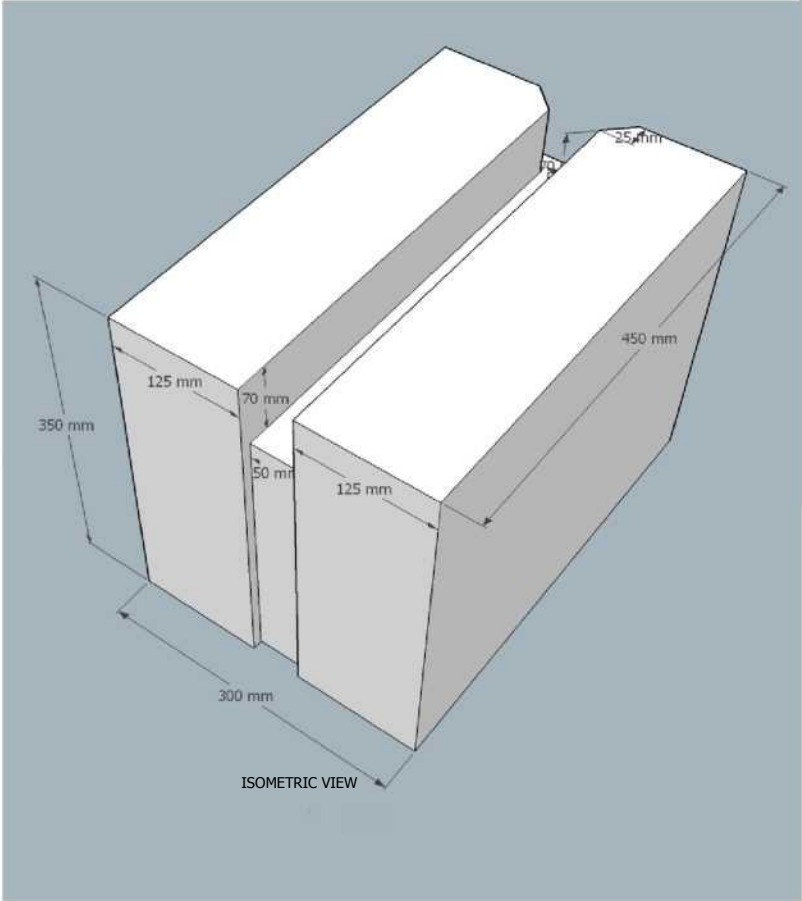
FIGURE-6 (RUNNER)



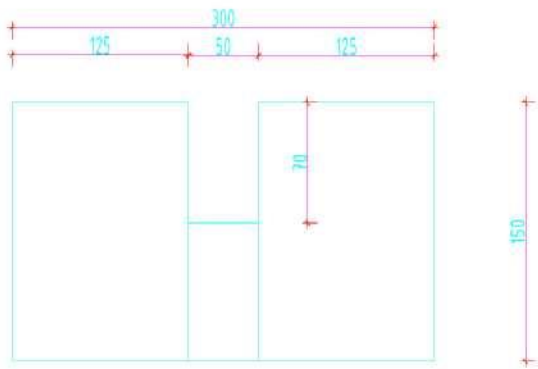
SIDE VIEW



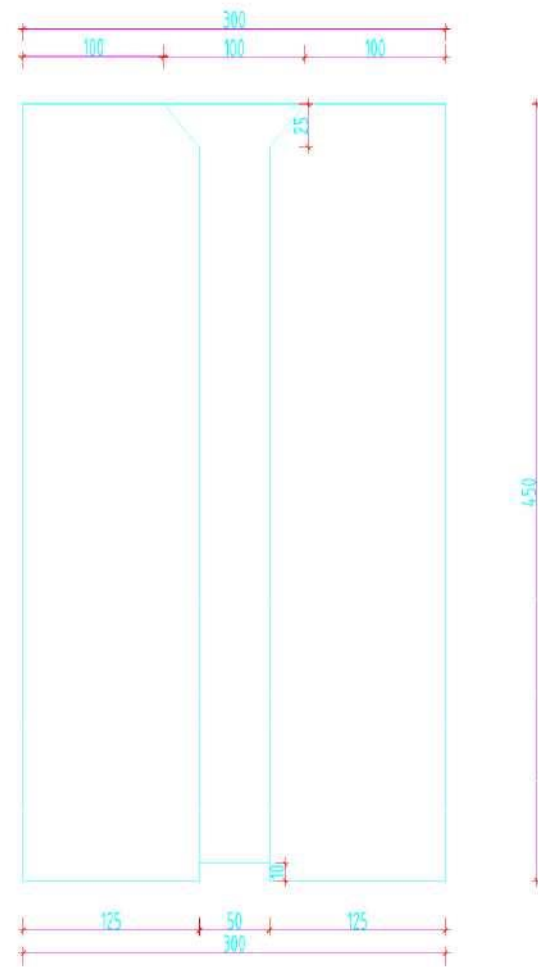
TOP VIEW



ISOMETRIC VIEW

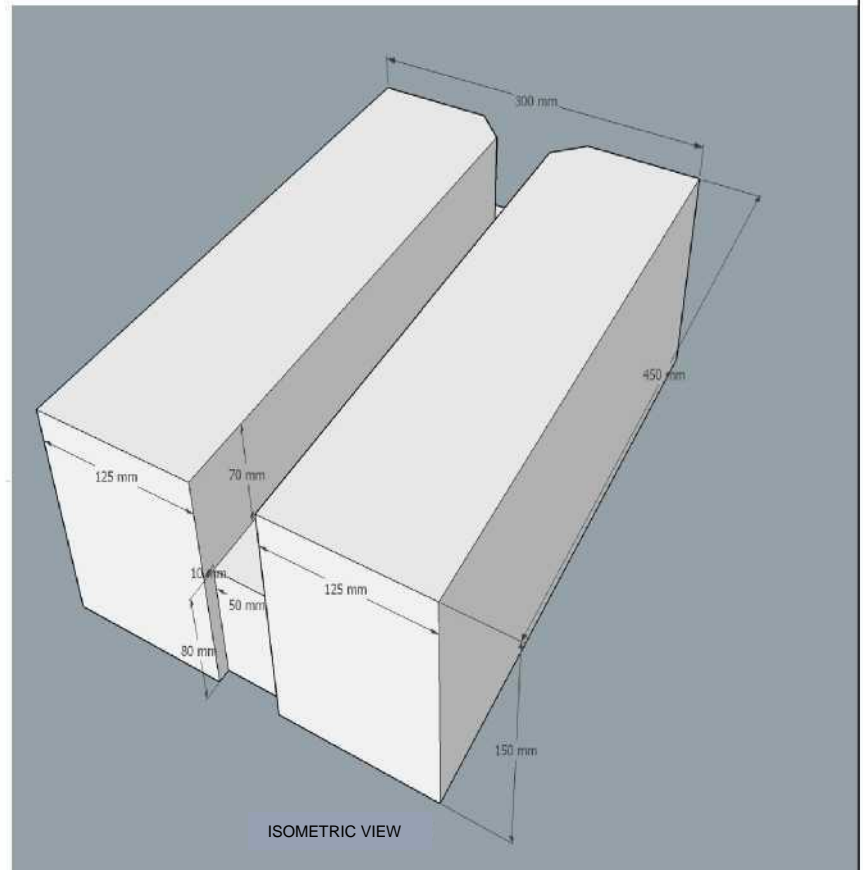


SIDE VIEW

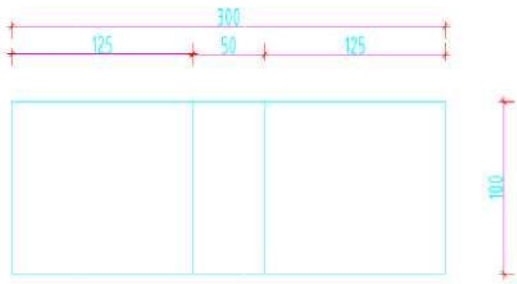


TOP VIEW

FIGURE-6.1 (RUNNER)
1 PC.

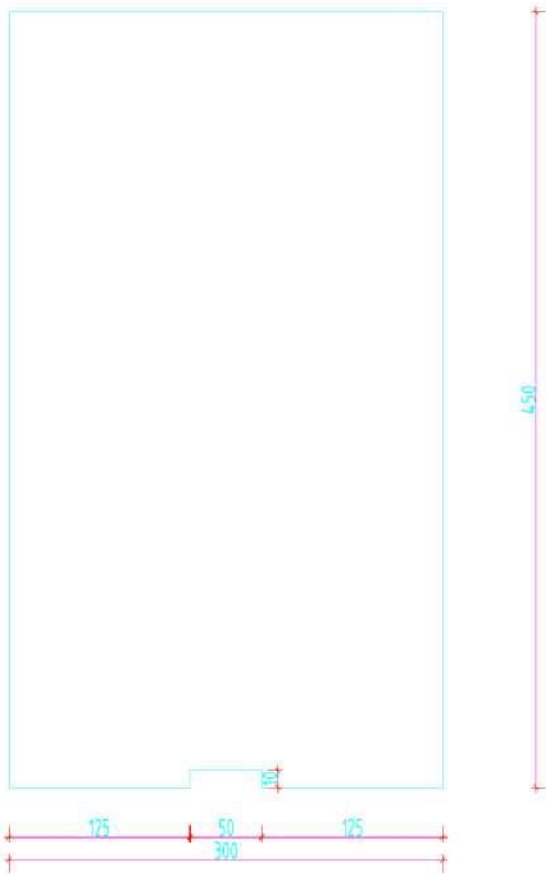


ISOMETRIC VIEW

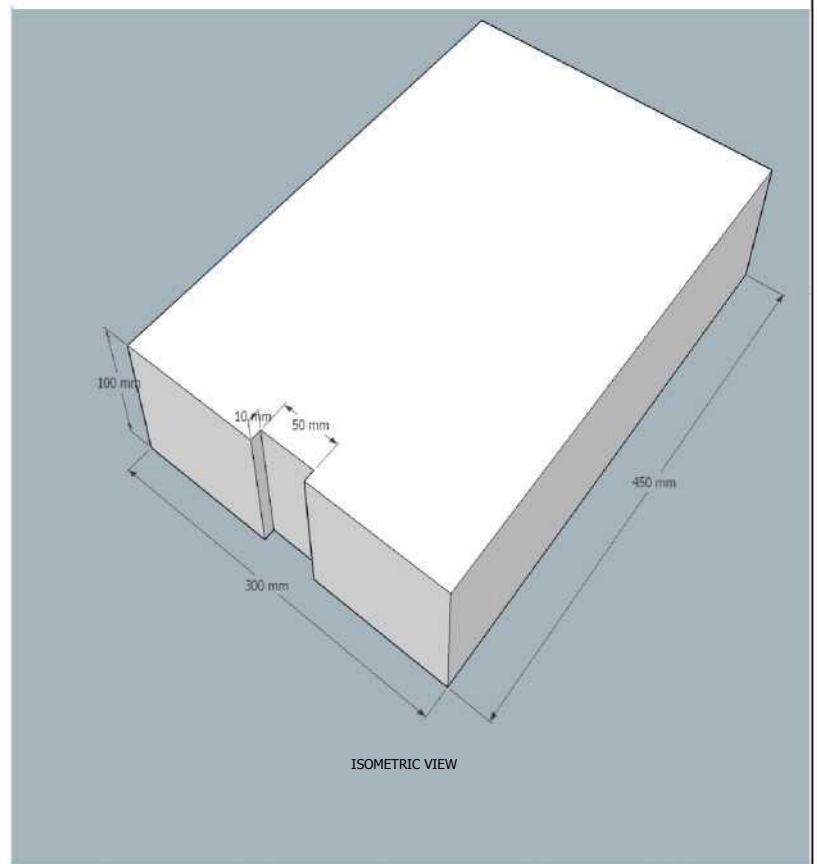


SIDE VIEW

FIGURE -6.2 (RUNNER)
2 PCS



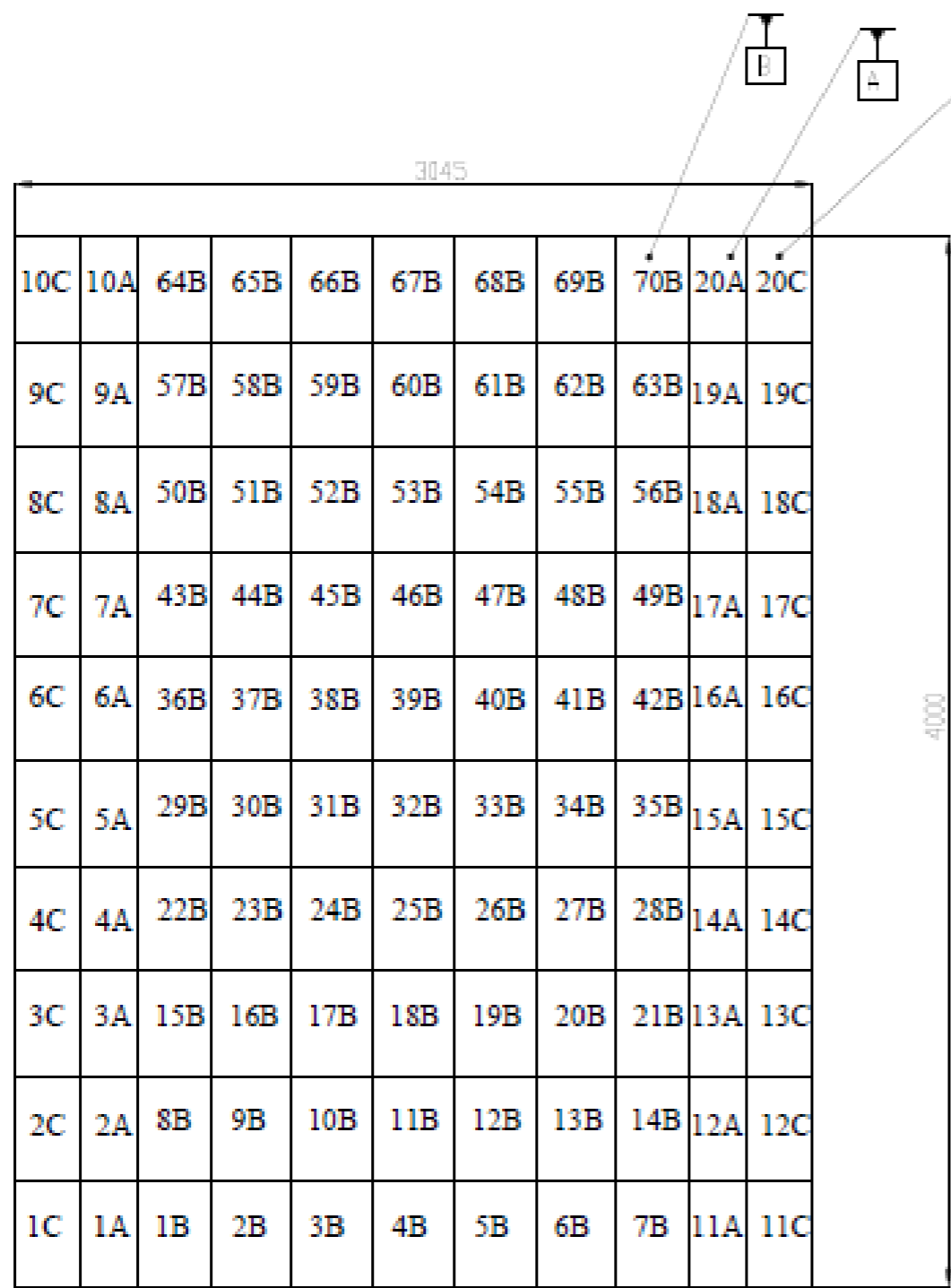
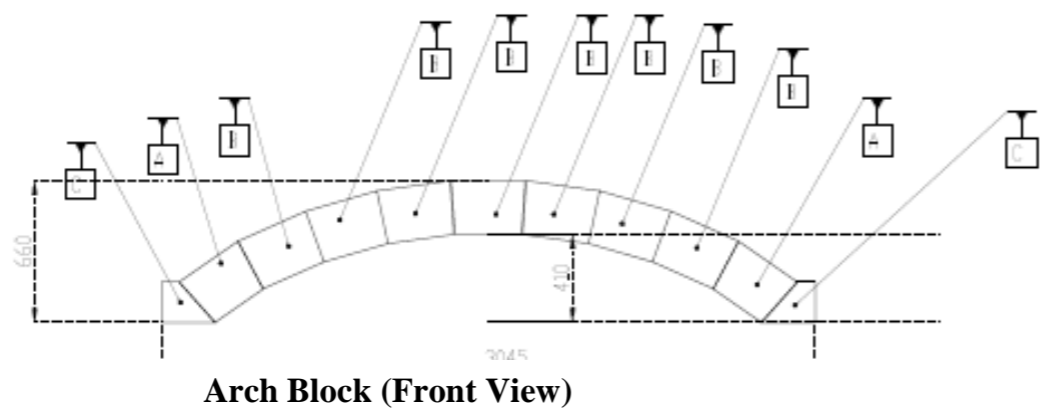
TOP VIEW



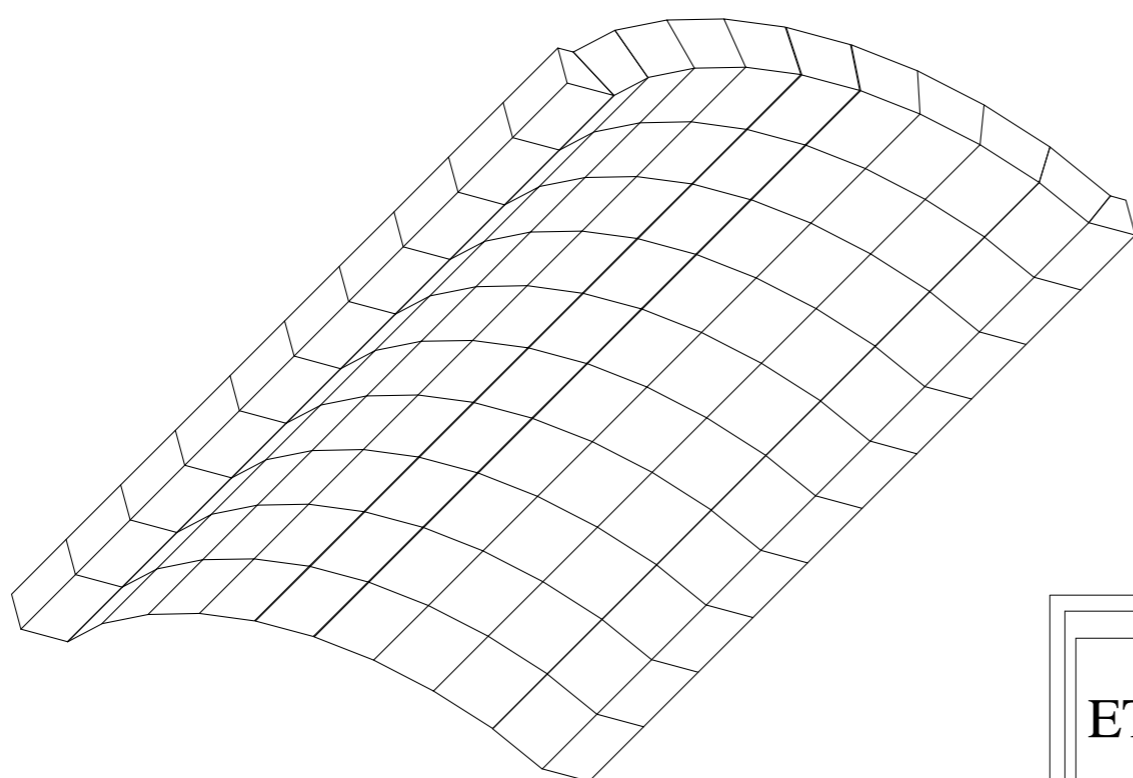
ISOMETRIC VIEW

FIGURE -7

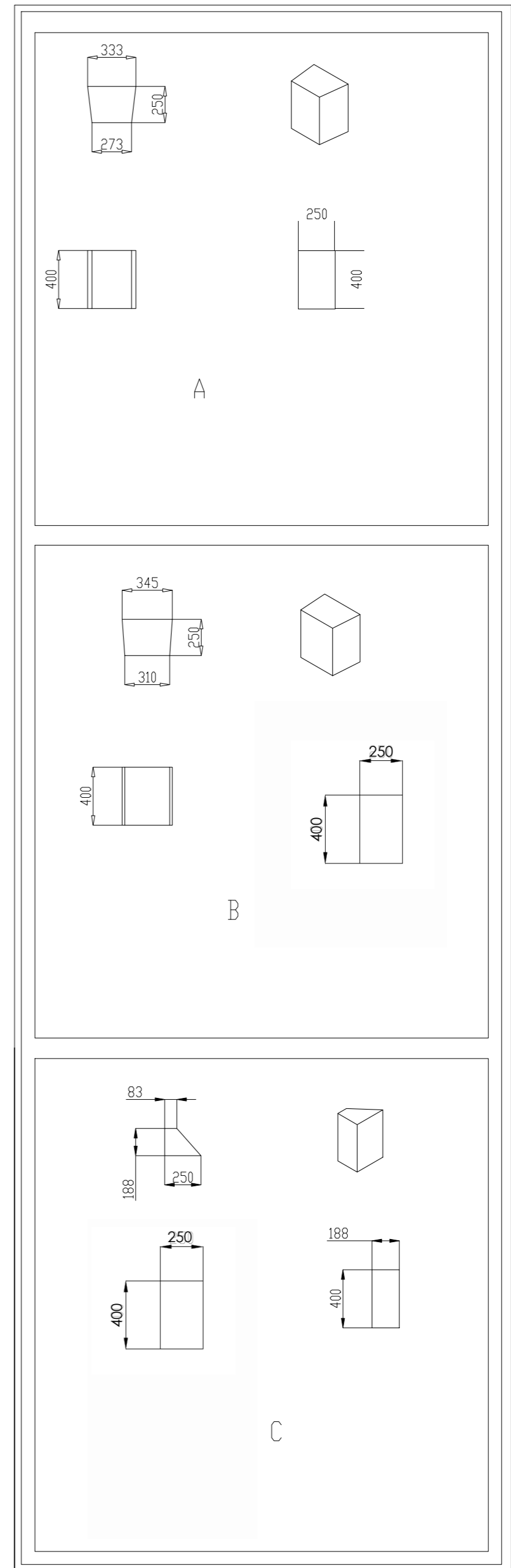
Drawing of 1 Set of Furnace Roof Area



View from Above of 1 Set of Roof Area

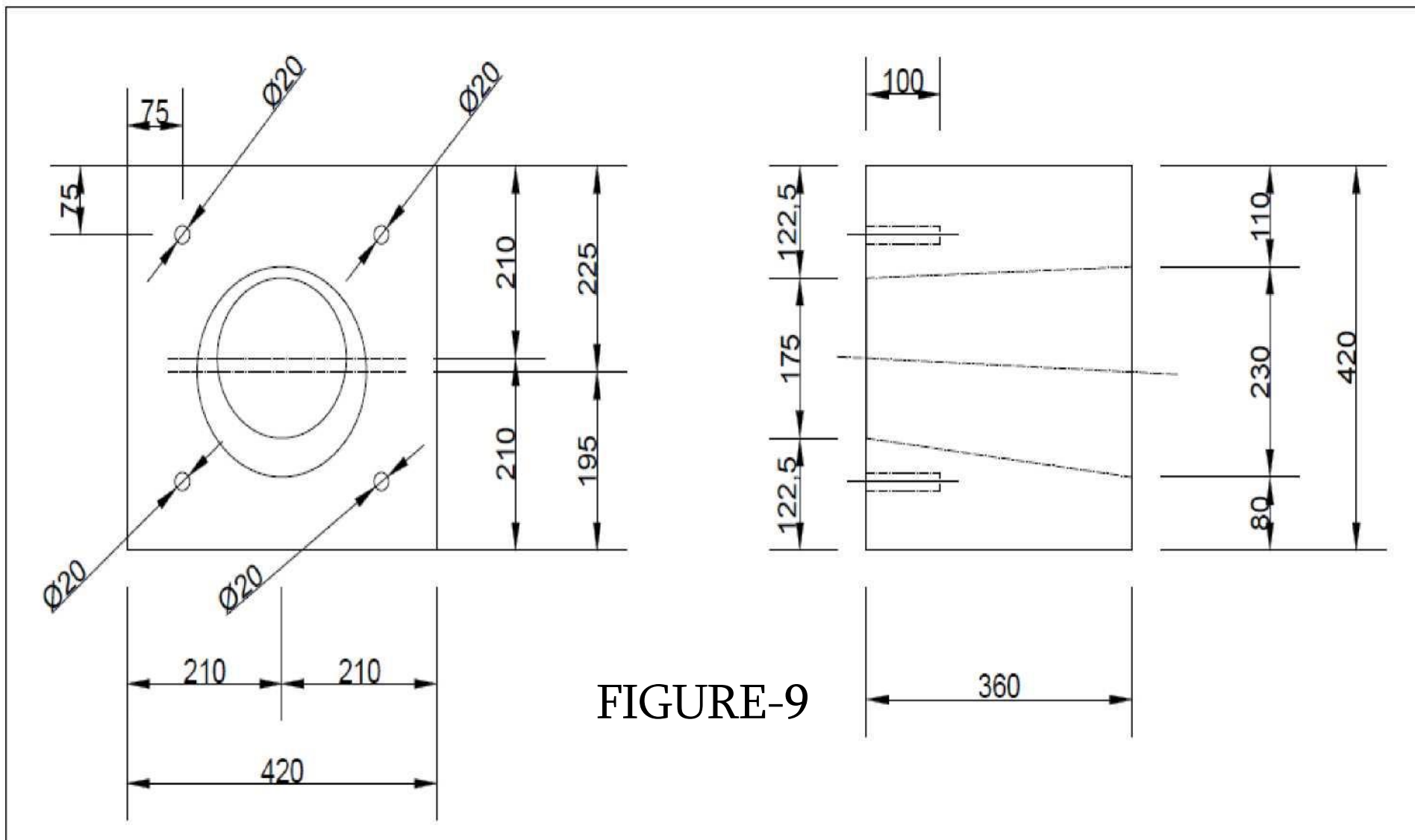


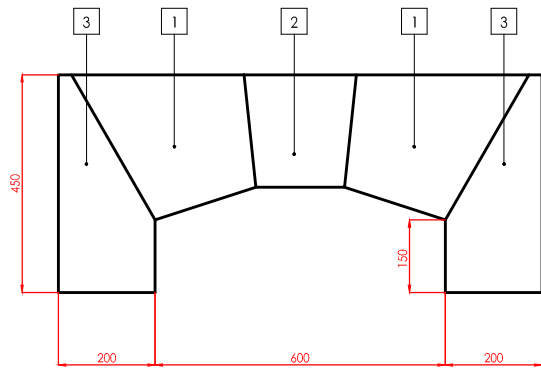
Isometric View of 1 Set of Roof Area



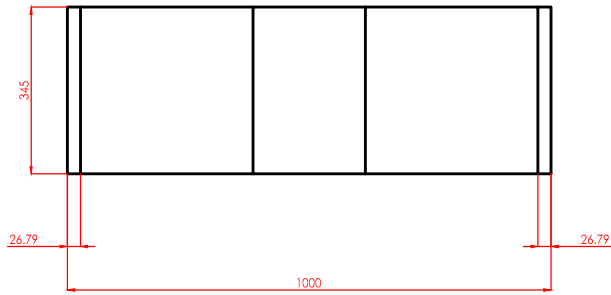
Production Dimensions of Each Brick Part

ETI MINE WORKS GENERAL MANAGEMENT	
KIRKA BORON WORKS	
PROJECT NAME	DEHYDRATED BORAX MELTING FURNACE DOME
DATE	03.11.2015
SCALE	1/1
DRAWN BY	SITKI DEMIRKOL (ENGINEER)
REMARKS	DIMENSIONS ARE IN MM.

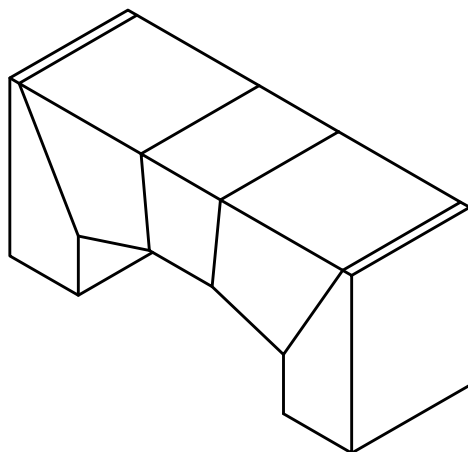




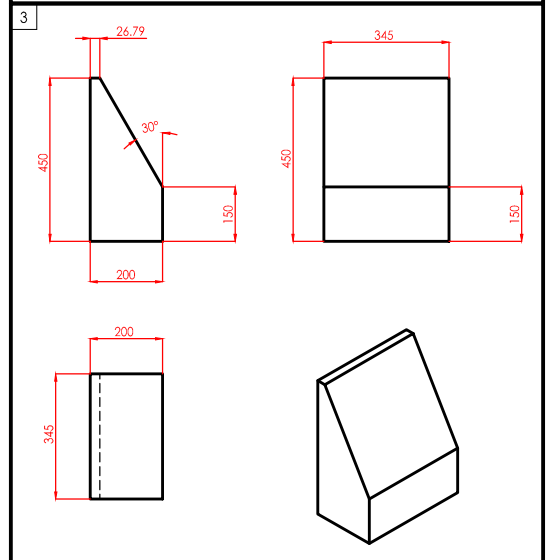
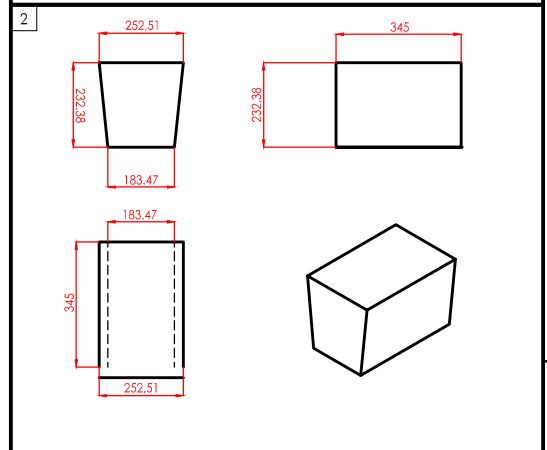
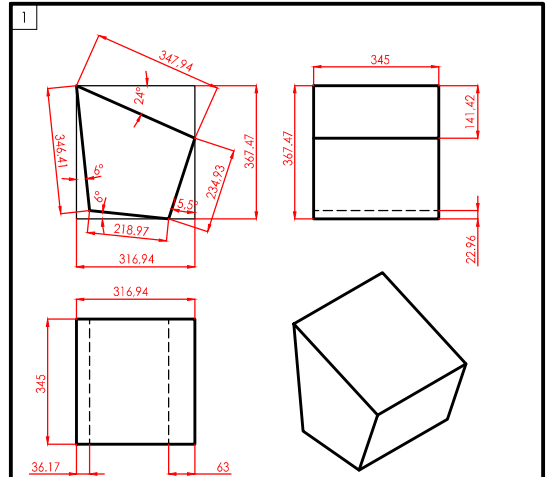
FRONT VIEW



TOP VIEW



ISOMETRIC VIEW



ETI MINE WORKS GENERAL MANAGEMENT

KIRKA BORON WORKS

PROJECT NAME DEHYDRATED BORAX MELTING FURNACE DOME

DATE 20 / 11 / 2019

SCALE 1 / 1

DRAWN BY SITKI DEMİRKOL (HEAD ENGINEER)

REMARKS DIMENSIONS ARE IN MM.